



perma STAR VARIO

## Installation Guide

The Expert in Lubrication Solutions

**perma**

# Index

<b>1 Basic Guidelines.....</b>	<b>3</b>
<b>2 Mounting types .....</b>	<b>4</b>
2.1 Direct mounting .....	4
2.2 Remote mounting with tube.....	5
2.3 Mounting of oil filled units .....	6
<b>3 Preparation of lubrication point .....</b>	<b>7</b>
<b>4 Pressure testing .....</b>	<b>9</b>
<b>5 Activation und installation.....</b>	<b>11</b>
<b>6 Identification of LC .....</b>	<b>11</b>

This Installation guide provides instructions for the installation of perma STAR VARIO and helps in preventing basic mounting errors. The guide should be used with the operating instructions.

Drawings are only examples. There are many other possibilities for mounting, depending on local conditions.

Disclaimers of corresponding operating instructions apply.

Installation guides do not affect validation of the operating instructions.

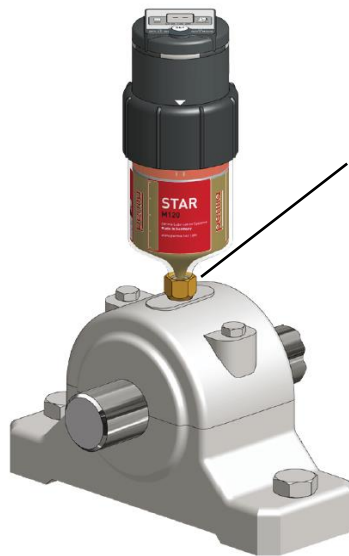
### 1 Basic Guidelines

- perma STAR VARIO is a single-point lubrication system. You must use a separate lubrication system for each lubrication point.
- The connection thread of perma STAR VARIO is BSP R $\frac{1}{4}$  male thread.
- Replace the application's grease fitting with a suitable reducer. perma-tec offers a wide assortment of reducers, extensions, tubes, brackets and other accessories. See our product catalogue for the entire overview on perma accessories.
- Ensure that the lube point is prefilled with fresh lubricant before installation. perma-tec offers all of its lubricants in 400 g cartridges for grease guns.
- Select the right lubricant for your application. perma-tec offers a wide variety of standard lubricants for different applications. See our product catalogue for further information.
- Use medium strength threadlocker for all metal to metal connections (extensions, reducers etc.).
- Fill grease lines and accessories with the same lubricant that is contained in the lubrication system.
- When oil is used for lubrication, an oil retaining valve (104862) must be installed. This will prevent oil leakage from the lubricator.
- For managing several lube points we recommend the use of a lubrication maintenance plan. You can use the free perma MLP software (<https://mlp.perma-tec.com>) for online administration.
- Please check our product catalogue for more information on how to select suitable lubricant. You may also download our free perma SELECT software which is a great tool for the selection of the right lubrication system, lubricant and discharge period.

## 2 Mounting types

### 2.1 Direct mounting

Direct mounting should be preferred for all lubrication points, to protect the lubrication system against high pressure.



Reducer for thread connection



Please use the perma STAR support flange 101416 for all angled or horizontal installations.



Installation of perma STAR VARIO is possible in all directions (indoors and outdoors).



Protection cap can only be used for vertical installations (outlet at the bottom) or horizontal installations.



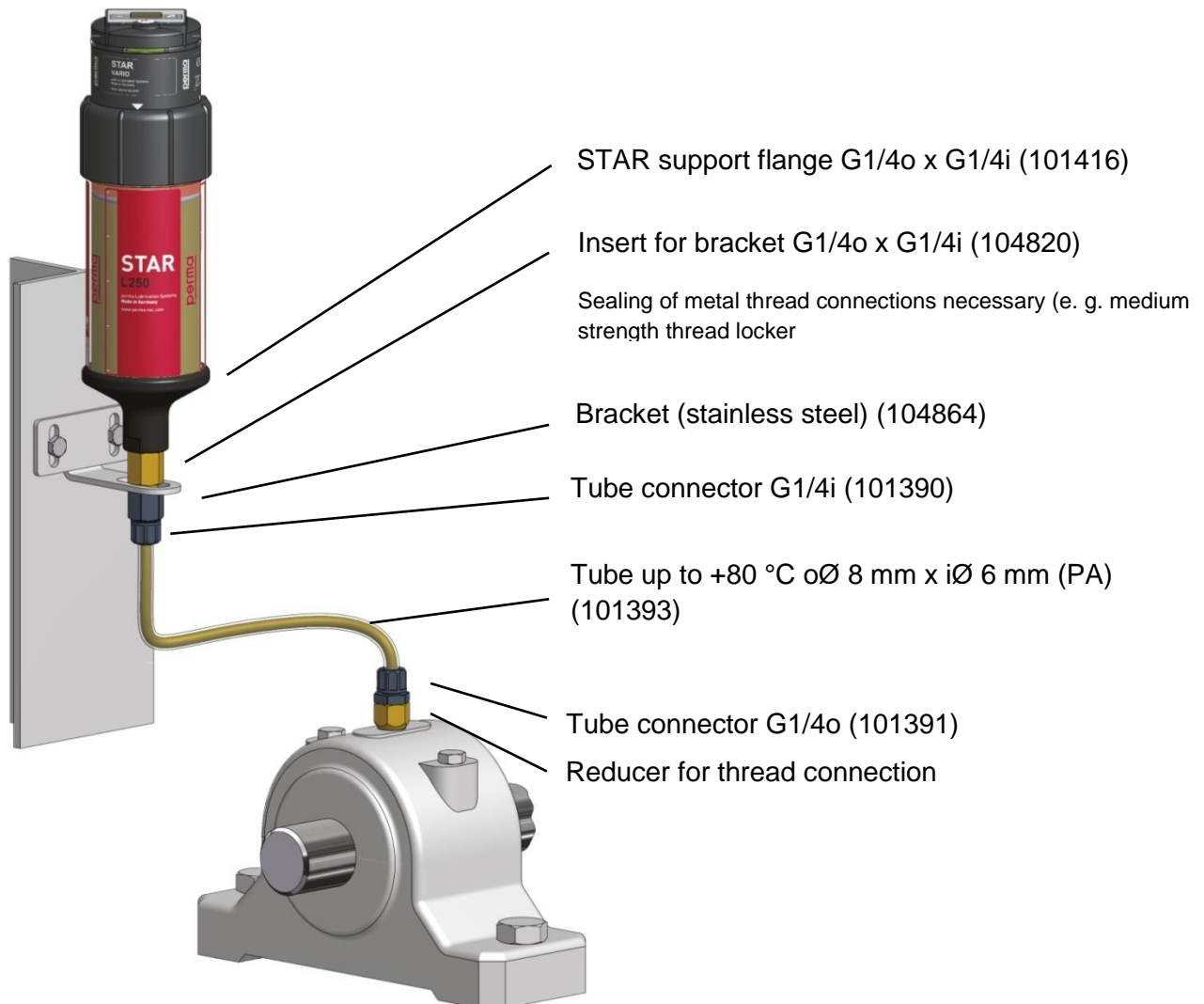
When using oil filled LCs, mounting angle may not exceed 45°.



## 2.2 Remote mounting with tube

Remote mounting is recommended if,

- the ambient temperature of the lubrication point is permanently higher than +60 °C
- the lubrication point is exposed to high vibrations
- no direct access to lubrication point is possible due to safety issues (e. g. removal of protective screens, safety walls or cages)
- it is difficult or dangerous to access the lubrication point
- the lubrication system is exposed to mechanical forces (e. g. falling rocks)

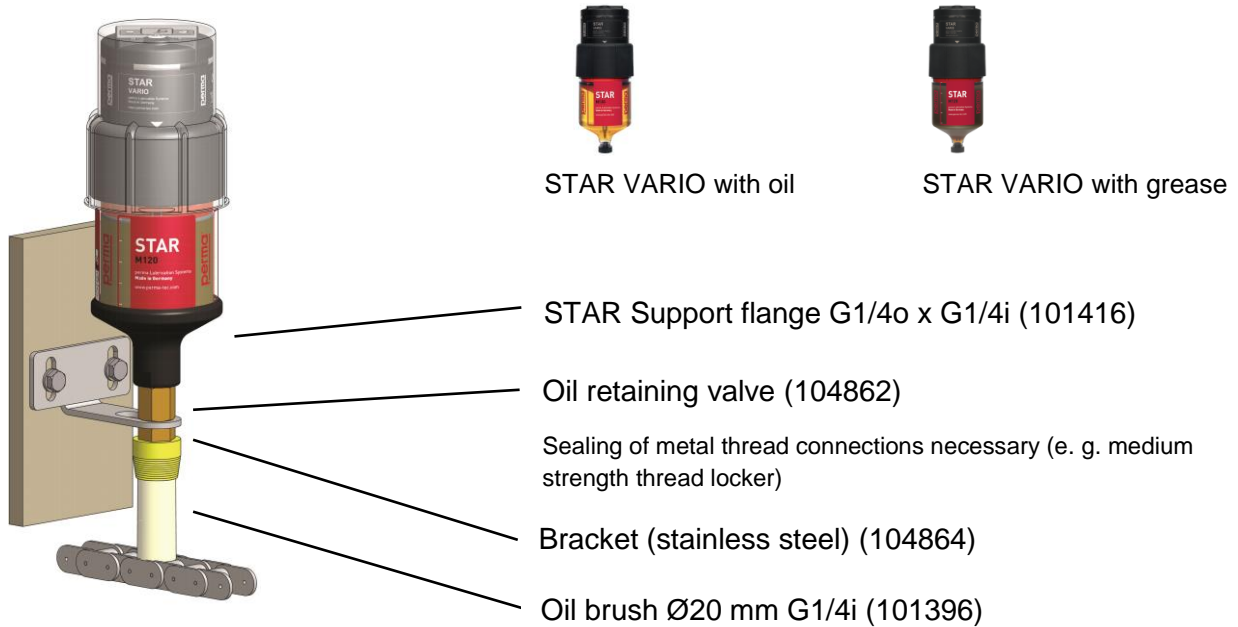


- Keep connection lines as short as possible and use tubes with an inside diameter of at least 6 mm. Keep in mind that tube length and bore diameter of the bearing housings affect pressure and discharge period of the lubrication system.
- For lube points with vibrations: we recommend the use of perma STAR Support flange 101416 and perma Clip 101386.
- Secure tubes with suitable fastenings (brackets, cable ties) to protect against damage and tearing.
- Depending on lubricant and ambient temperature, different tube lengths are possible, e. g. for perma multipurpose grease SF01: 5 m (+20 °C).

## 2.3 Mounting of oil filled units

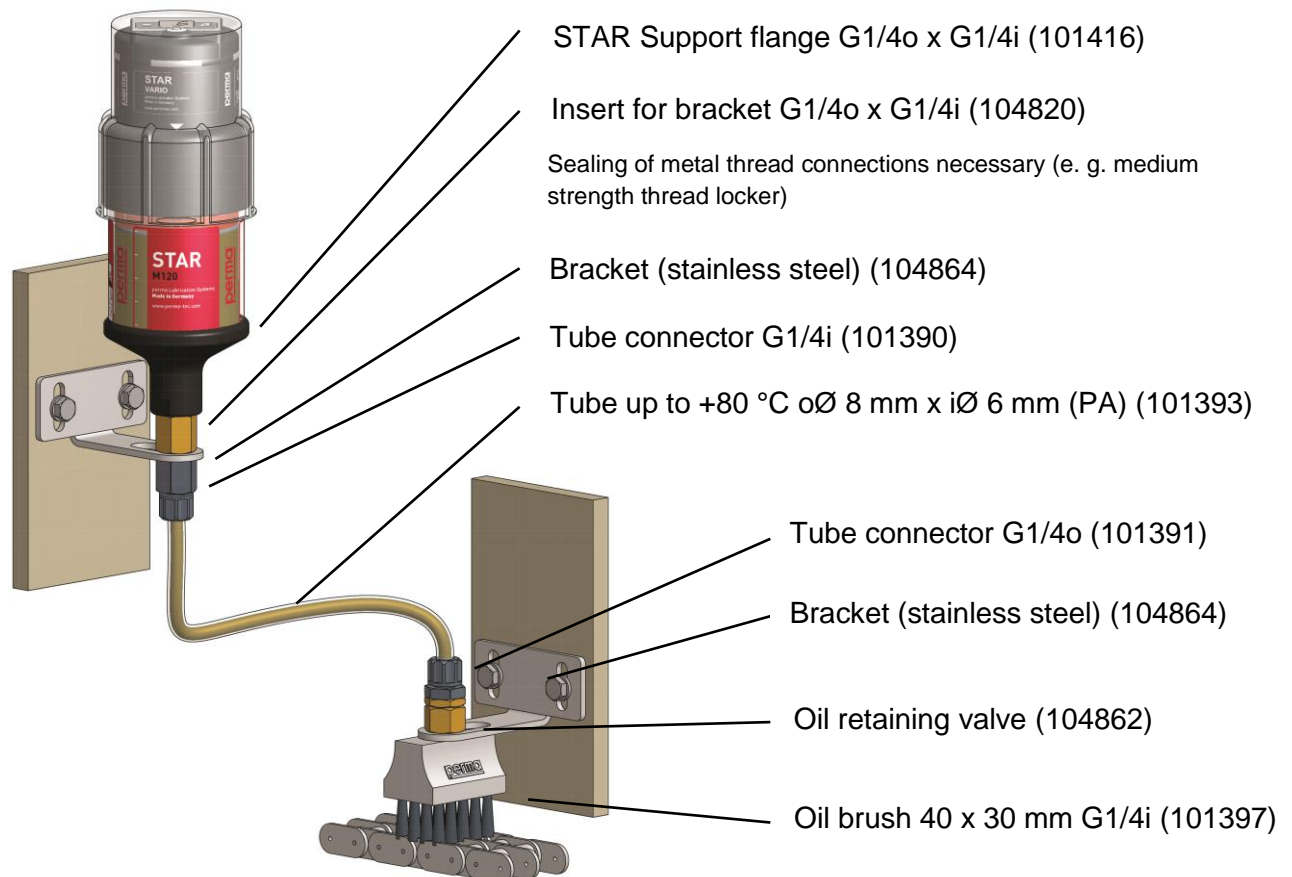
### 2.3.1 Direct mounting

perma STAR VARIO is **not** equipped with an oil retaining valve in the outlet. Usage of an external oil retaining valve is recommended.



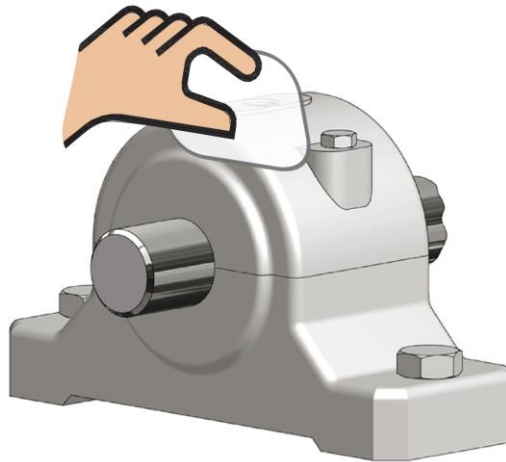
Remote installations of oil filled perma STAR VARIO require an oil retaining valve at the lowest point of the application. This will prevent oil leakage from the lubrication system.

### 2.3.2 Remote mounting

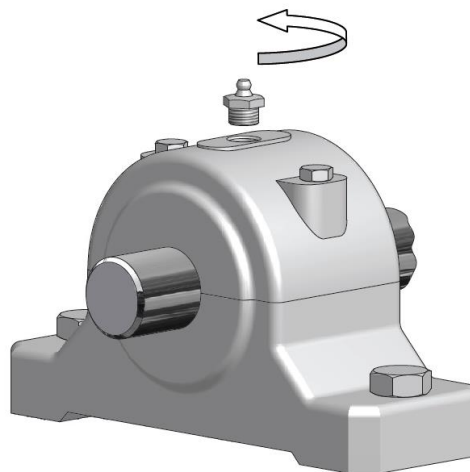


### 3 Preparation of lubrication point

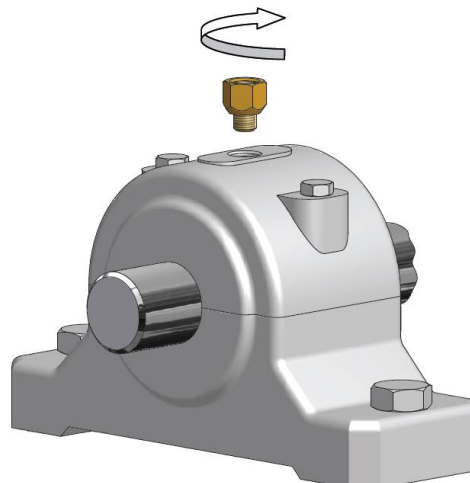
- ① Prior to installation, lubrication point must be cleaned to protect against contamination.



- ② Remove grease nipple or plug screw of connecting thread and check thread size.

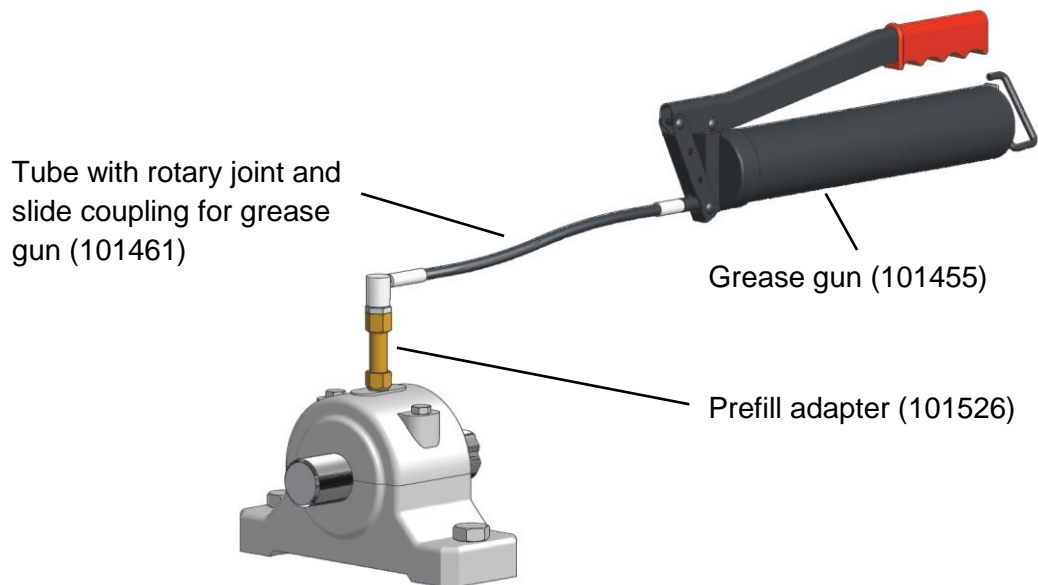


- ③ Insert reducer and install tube and necessary accessory parts.

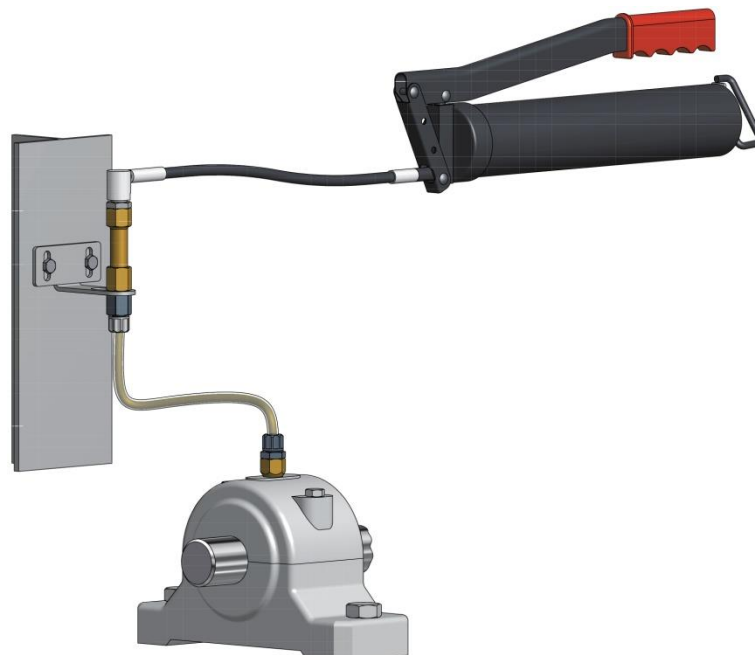


- ④ Lubrication point, accessory parts and tubes must be pre-filled with lubricant.

This enables the lubricant to immediately reach the lubrication point.



Prefill lubrication point and all grease lines for remote installation.



Prefill adapter for tube oØ 8 mm

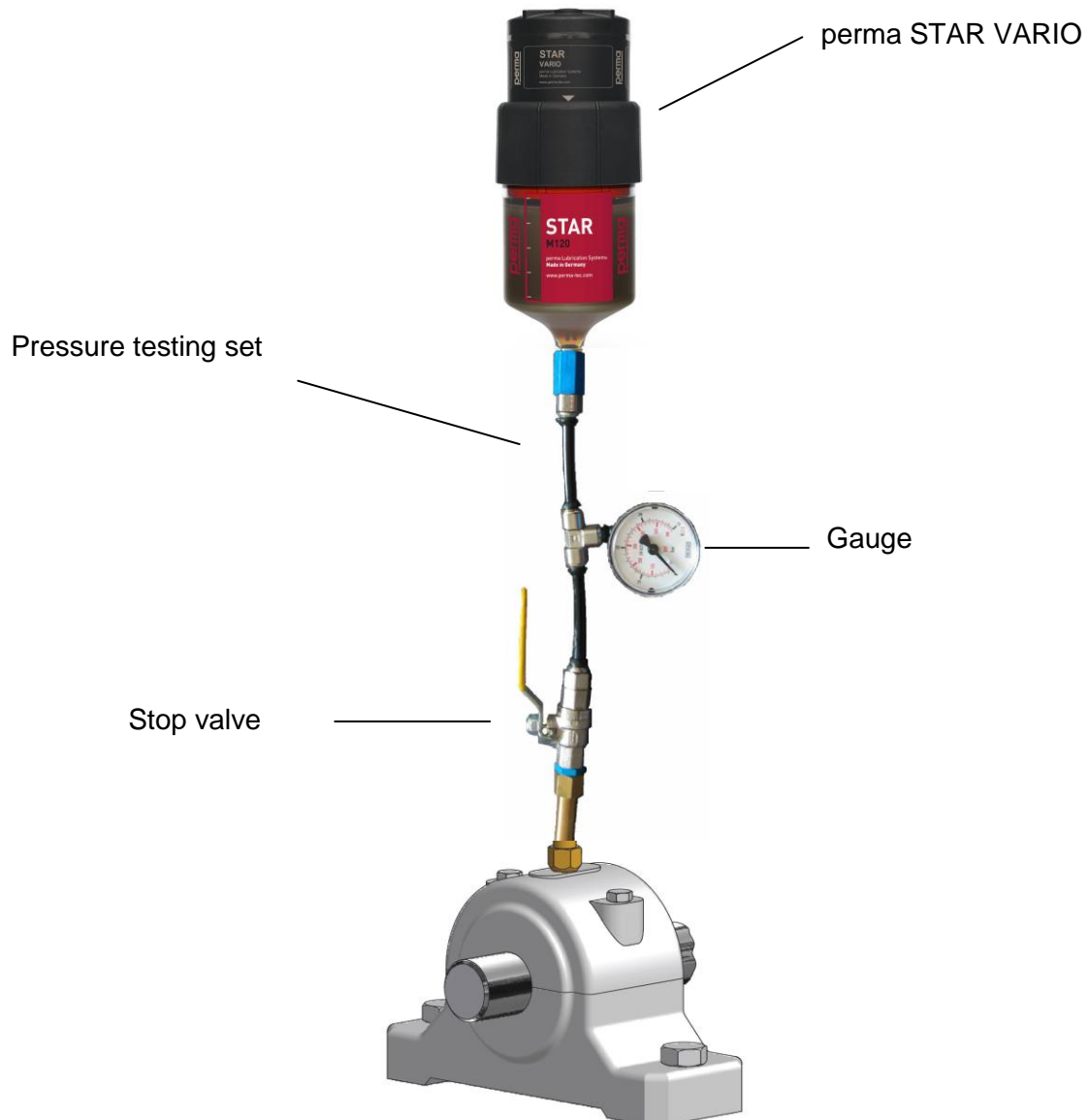
101526



## 4 Pressure testing

Check counter pressure at lubrication point before installing the lubrication system to guarantee correct function.

Most bearings require 0.5 - 2 bar pressure (without extension tubes). perma STAR VARIO can be used for these lubrication points.



For pressure testing please use perma STAR VARIO with pressure testing set 101480.

Be sure to use the same lubricant for both, prefilling and LC of perma STAR VARIO.

Pressure test procedure:

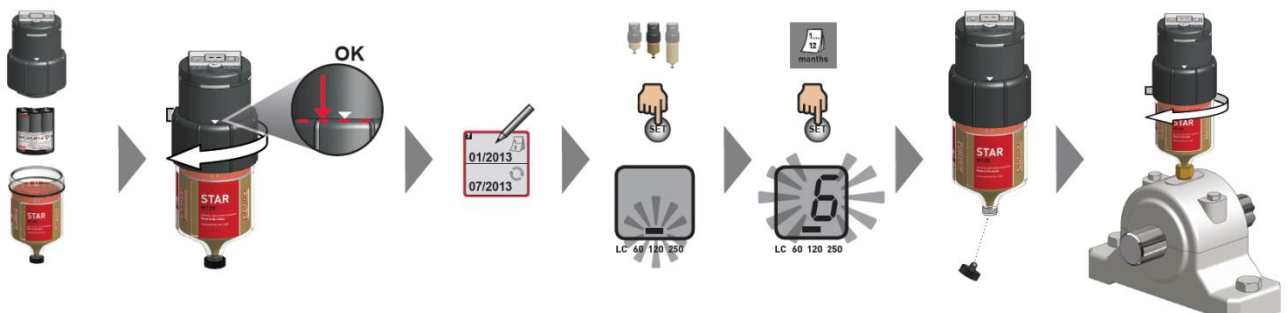
1. Remove grease nipple.
2. Screw reducer onto lube point and connect pressure testing set..
3. Connect perma STAR VARIO to the open outlet.
4. Turn machines on to ensure that lube point is in use and measuring of corresponding counter pressure is possible (**Caution: Observe accident prevention regulations**).
5. Open stop valve.
6. Push SET button on perma STAR VARIO for approx. 10 seconds until PU lights up on display to trigger an additional discharge/purge.
7. Watch the pressure on the gauge during the additional discharge. If pressure exceeds 6 bar the lubricator will shut off automatically.
8. If pressure doesn't rise any more during the additional discharge, max injection pressure has been reached. In order to find out the required system pressure you must wait another 5 minutes. The gauge will then show the system pressure.
9. If system pressure exceeds 6 bar you need to "purge" the lube point by using a mechanical grease gun. Proceed with steps 6 and 7.
10. If counter pressure doesn't decrease you need to either select a different lubricant or a different lubricator. Please ask perma-tec to assist you in this matter.



## 5 Activation und installation

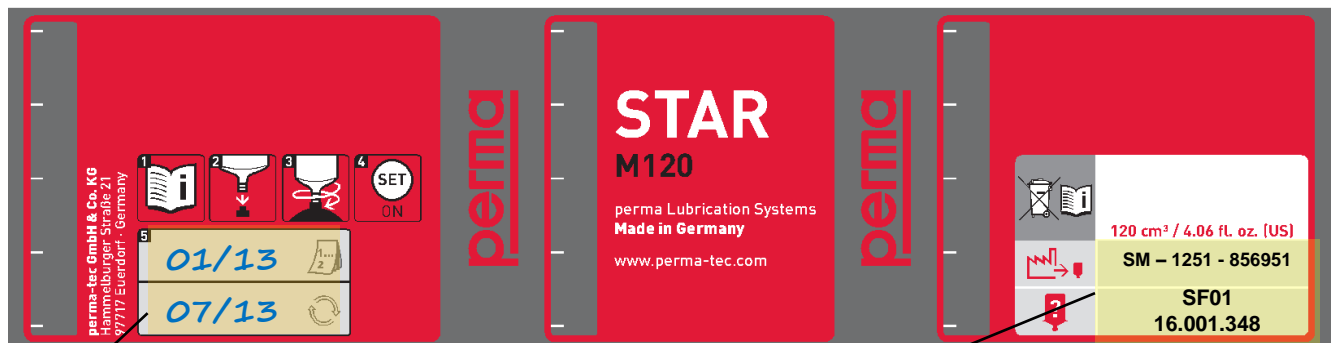
Start up as following (also refer to operating instructions):

- Assemble all components (drive, battery pack, LC)
- Turn the threaded ring on the LC unit until the small white arrow mark is fully visible
- Note activation / exchange date on label
- Select LC size
- Select discharge period (1 to 12 months)
- Remove plug
- Screw STAR VARIO into lube point



## 6 Identification of LC

LC label shows product-code, manufacturing date, traceability number, lubricant code and part number.



Installation date  
and exchange  
date (to be added  
by operator)

Product code - manufacturing date - traceability number  
Lubricant code  
Part number  
(printed by perma-tec)

**perma-tec GmbH & Co. KG**  
Hammelburger Str. 21  
97717 EUERDORF  
GERMANY

[info@perma-tec.com](mailto:info@perma-tec.com)  
[www.perma-tec.com](http://www.perma-tec.com)