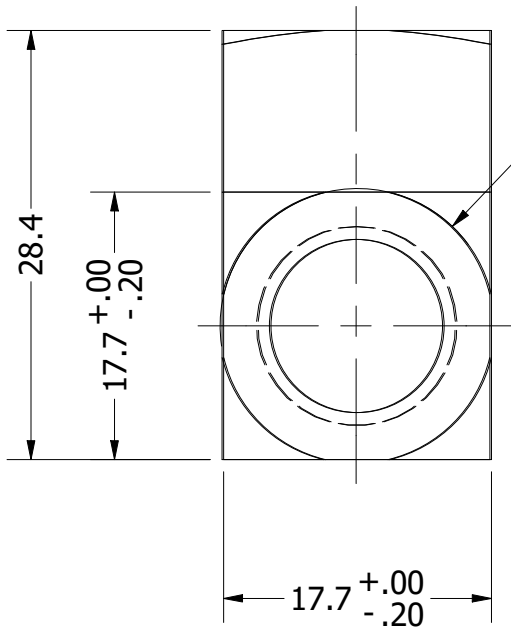


2

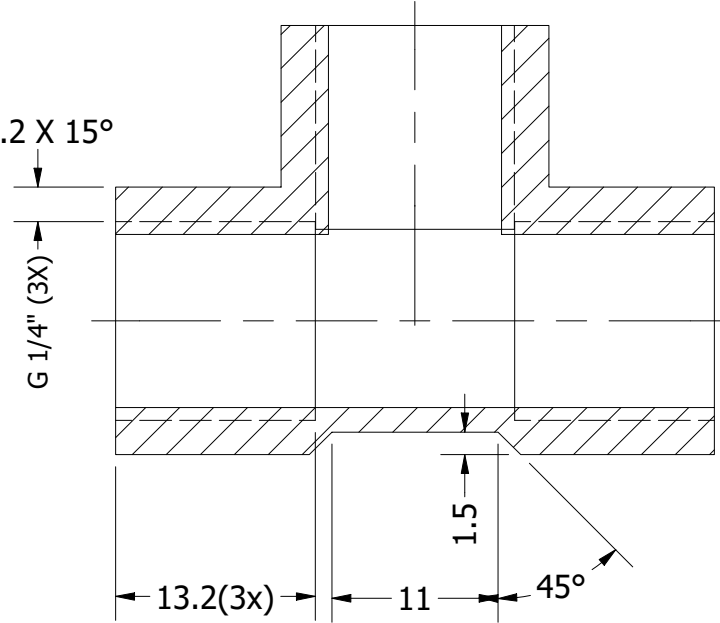
1

B

B



Ø18.2 X 15°



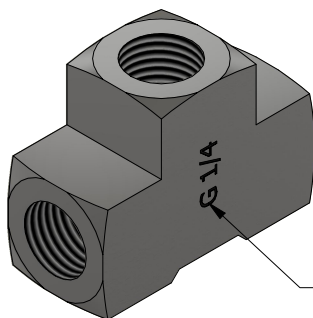
G 1/4" (3X)

1.5

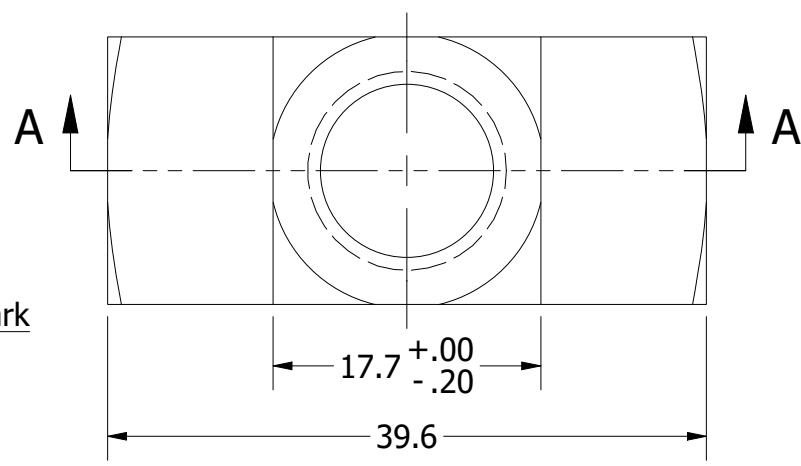
11

45°

13.2(3x)



Laser Mark
G 1/4




17.7 (+.00, -.20)

39.6

NOTES:

- Free of burrs and swarfs
- No particles (greater than 0.2mm)
- No Sharp Edges

| | | | | | | | | | |
|-------------|----------|---|------------|-----------------------------|--|---|--|--------------------------|--|
| PART NUMBER | | DIMENSIONING AND TOLERANCING PER ASME Y14.5M-1994 | | ALL DIMENSIONS [mm.] | | SCALE: 1 : 1 | | MAT: 316 Stainless Steel | |
| 900493 | | | | | | | | | |
| | | DEPT | DATE | NAME | |  H.T.L perma USA, L.P. 10333 Westlake Drive Charlotte, NC 28273 (704) 377-3100 | | | |
| | | A.E. | 12.24.2024 | K. Brooks | | | | | |
| | | | | | | | | | |
| | | | | | | | | | |
| | | PROJECT | | | | DESCRIPTION: | | | |
| | | Accessories | | | | T-Adapter 3 x G1/4 F (SS) | | | |
| | | | | | | 1 A | | | |
| STATUS | REVISION | DATE | NAME | PREV DWG NUM: JY-TC-HTL-130 | | DWG NUM: AX_SPF_900493_B | | | |

2

1

A

A