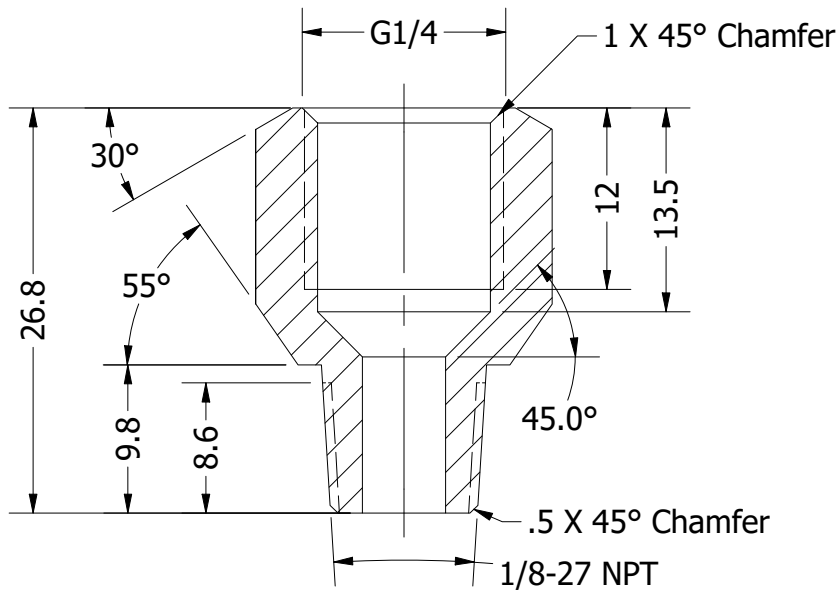
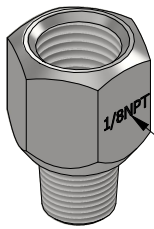
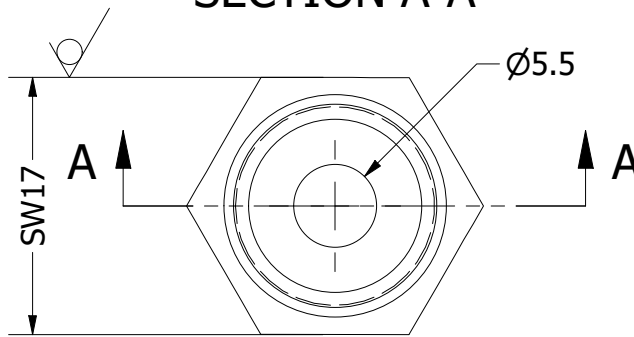


2


1



SECTION A-A



**Laser Mark
1/8NPT**

PART NUMBER		DIMENSIONING AND TOLERANCING PER ASME Y14.5M-1994		ALL DIMENSIONS [mm.]		SCALE: 1 : 1	MAT:316 Stainless Steel	
900499								
		DEPT	DATE	NAME		 H.T.L perma USA, L.P. 10333 Westlake Drive Charlotte, NC 28273 (704) 377-3100		
		A.E.	12.27.2024	K. Brooks				
		PROJECT				DESCRIPTION:		1 A
		Accessories				Reducer G1/4 Female x 1/8 NPT Male (SS)		
STATUS	REVISION	DATE	NAME	PREV DWG NUM: AX_RED_900499		DWG NUM: AX_RED_900499_B		

2

1