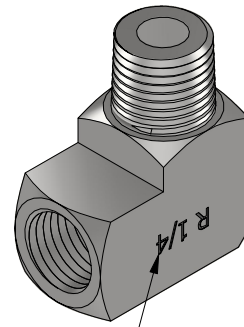
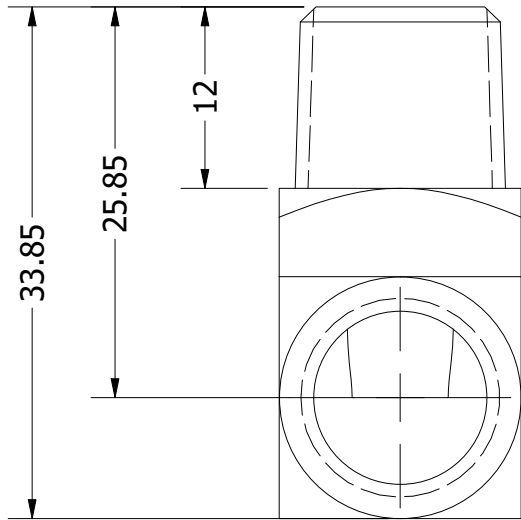


2

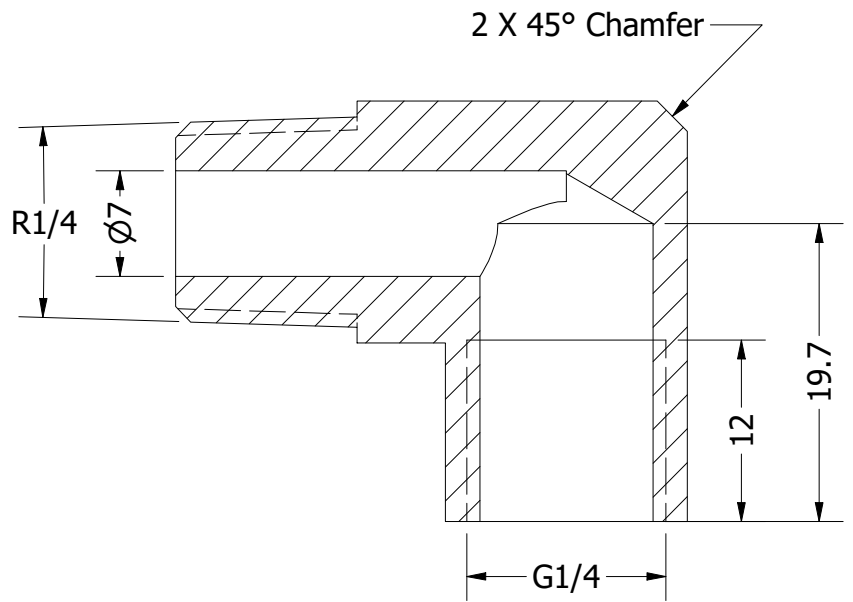
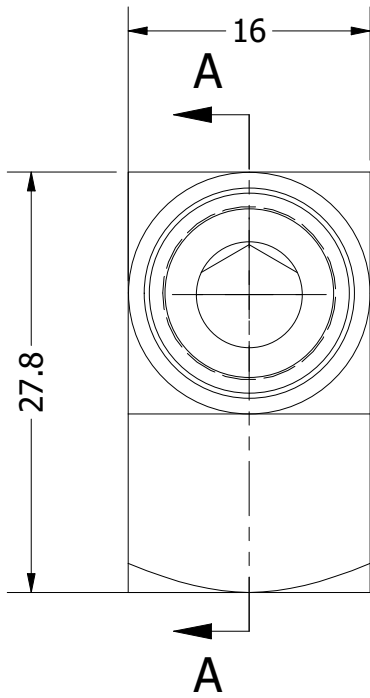
1

B

B




**Laser Marked
R 1/4**



SECTION A-A

A

A

PART NUMBER		DIMENSIONING AND TOLERANCING PER ASME Y14.5M-1994		ALL DIMENSIONS [mm.]		SCALE: 2 : 1	MAT: 316 Stainless Steel	
900500								
		DEPT	DATE	NAME		 H.T.L perma USA, L.P. 10333 Westlake Drive Charlotte, NC 28273 (704) 377-3100		
		A.E.	12.27.2024	K. Brooks				
		PROJECT				DESCRIPTION:		1 A
		Accessories				Angle 90 deg, R1/4 Male x G1/4 Female (SS)		
STATUS	REVISION	DATE	NAME	PREV DWG NUM: AX_ANG_900500		DWG NUM: AX_ANG_900500_B		

2

1

