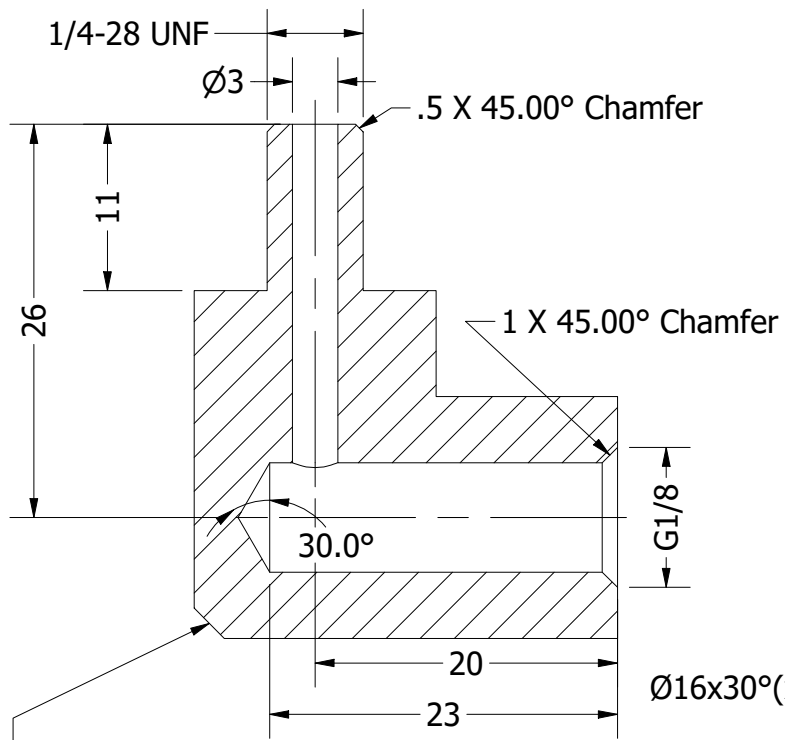
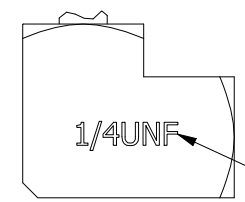
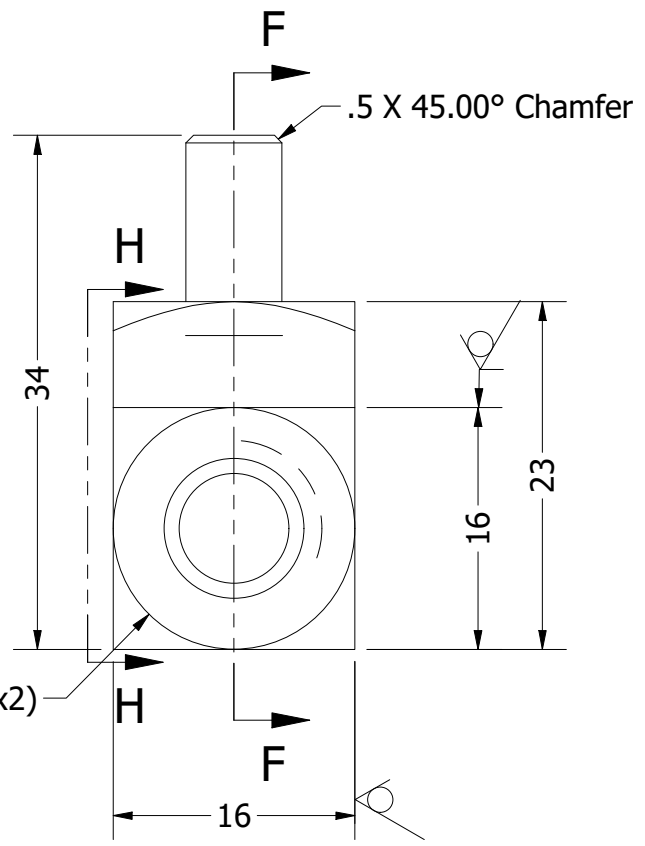


2

1

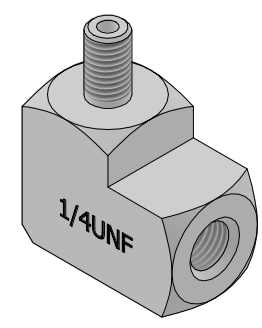


SECTION F-F
SCALE 2 : 1




LASER MARKING
1/4UNF

VIEW H-H
SCALE 1 : 1



- NOTES:**
- Free of burrs and swarfs
 - No particles (greater than 0.2mm)
 - No Sharp Edges

A

PART NUMBER		DIMENSIONING AND TOLERANCING PER ASME Y14.5M-1994		ALL DIMENSIONS [mm.]		SCALE: 2 : 1		MAT:316 Stainless Steel	
912168									
		DEPT	DATE	NAME		 H.T.L perma USA, L.P. 10333 Westlake Drive Charlotte, NC 28273 (704) 377-3100			
		A.E.	12/27/2024	k.brooks					
		PROJECT				DESCRIPTION:			
		Accessories				Angle 90, 1/4-28UNF x G1/8 Female (SS)			
		PREV DWG NUM: AX_ANG_912168				DWG NUM: AX_ANG_912168_B			

1
A

2

1