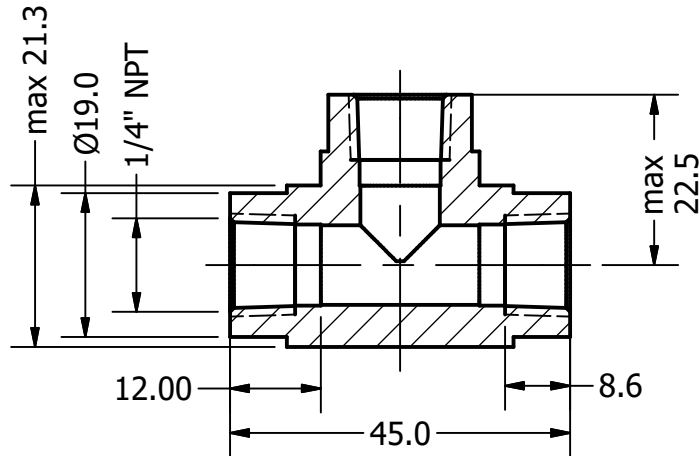
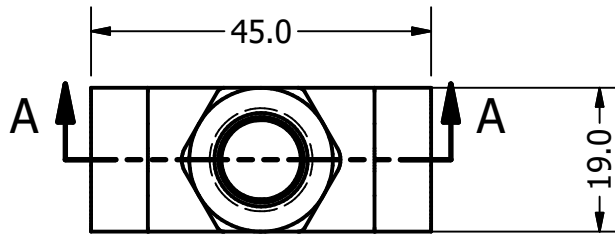


2

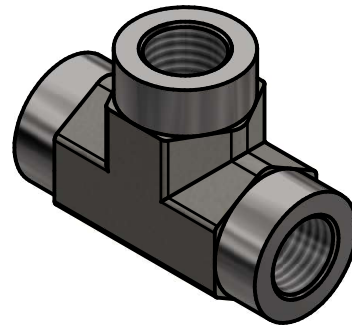
1




SECTION A-A
SCALE 1 : 1

NOTES:

- Free of burrs and swarfs
- No particles (greater than 0.2mm)
- No Sharp Edges



PART NUMBER				DIMENSIONING AND TOLERANCING PER ASME Y14.5M-1994		ALL DIMENSIONS [mm.]		SCALE: 1 : 1		MAT:Stainless Steel	
901012											
				DEPT	DATE	NAME		 H.T.L perma USA, L.P. 2129 Center Park Road Charlotte, NC 28217 (704) 377-3100			
				A.E.	6.26.2018	K. Brooks					
				PROJECT				DESCRIPTION:		<div style="font-size: 2em; font-weight: bold;">1</div> <div style="font-size: 3em; font-weight: bold;">A</div>	
				Accessories				T-Adapter 3 x 1/4" NPT female			
STATUS	REVISION	DATE	NAME	PREV DWG NUM:				DWG NUM: AX_SPC_012_A			

2

1